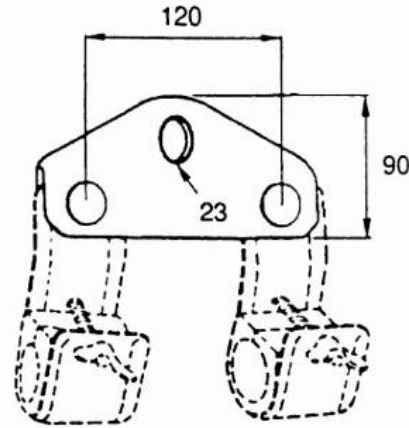
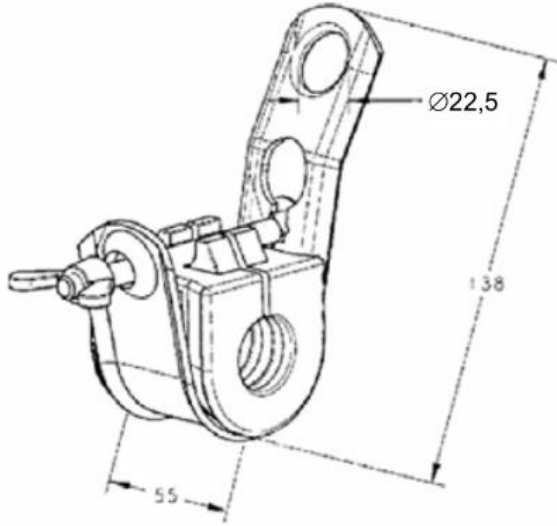


Overview

- SPC ABC Cable Suspension Clamp is made of steel strap with hot-dip galvanized on surface.
- Rubber part is made of weather resistant and ant-UV material.
- Equipped with shear head bolts. Constant installation torque is convenient for installation without any damage to cable insulation layer.
- No loose parts could fall off during installation.
- Standard: EN 50483-2



Type	Conductor Size(mm ²)	Failure Load(kN)	Pack (pcs)
SPC4×25	25	6	36
SPC4×35	35	6	36
SPC4×50	50	6	36
SPC4×70	70	10	36
SPC4×95	95	10	36
SPC4×120	120	10	36